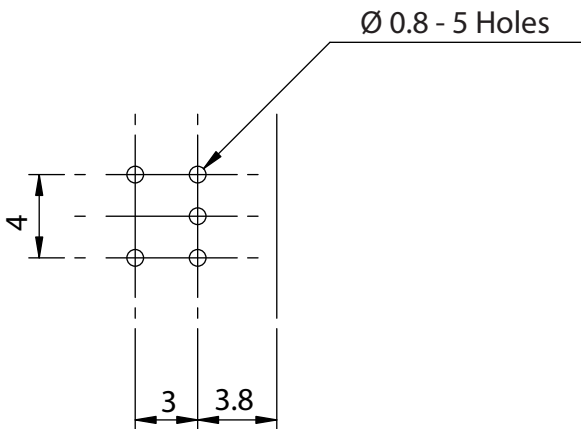
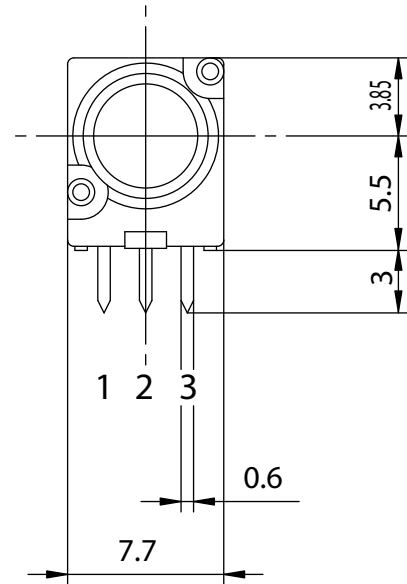
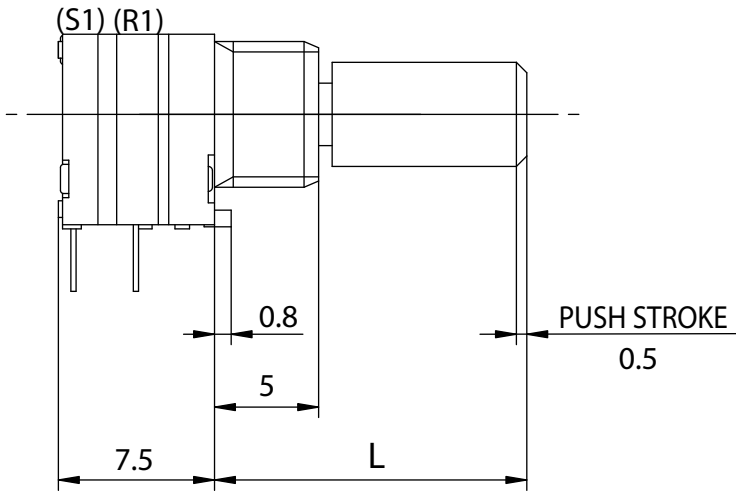


TP76N00A  
 Single Unit, Single Shaft  
 with Push-ON SW



300° Rotation,  
 single unit  
 with Push-ON SW

